

# ZB-1307

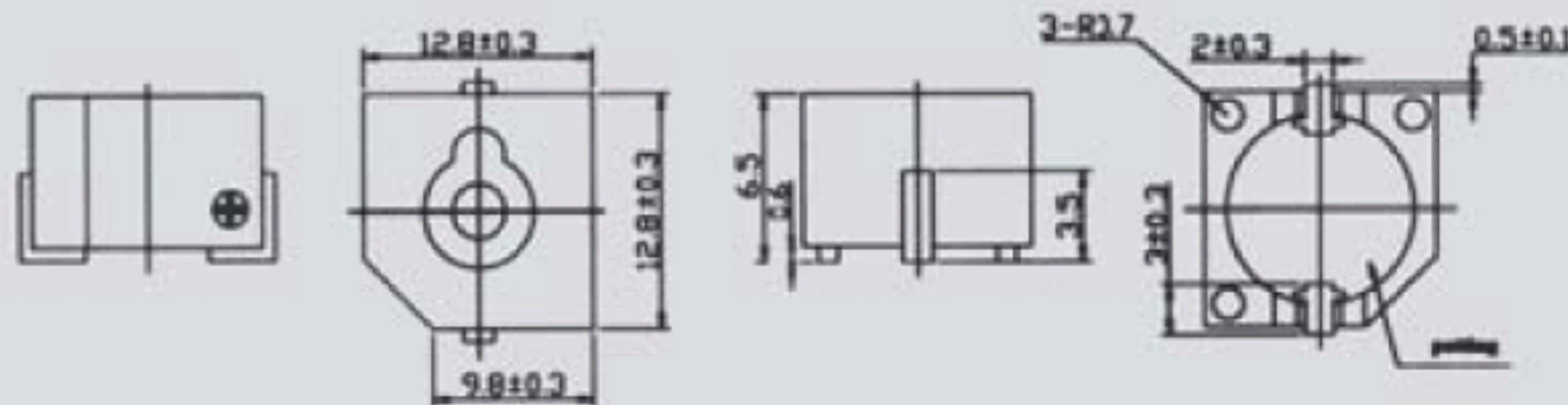


## DIMENSIONS

UNIT: mm

Tolerance:  $\pm 0.5\text{mm}$

Reflow Solderable and Washable



## SPECIFICATIONS

Type	Unit	ZB-1307-01	ZB-1307-05	ZB-1307-12
Rated Voltage	V	1.5	5	12
Operating Voltage	V	1-3	3.8	8-16
*Rated Current(MAX)	mA	30	40	40
*Min Sound Output at 10 cm	dB	80	85	85
Coil Resistance	$\Omega$	$15 \pm 3$	$45 \pm 5$	$140 \pm 14$
*Resonant Frequency	Hz	2400		
Lead Pin Material		Brass		

\*Value Applying at Rated Voltage(DC)