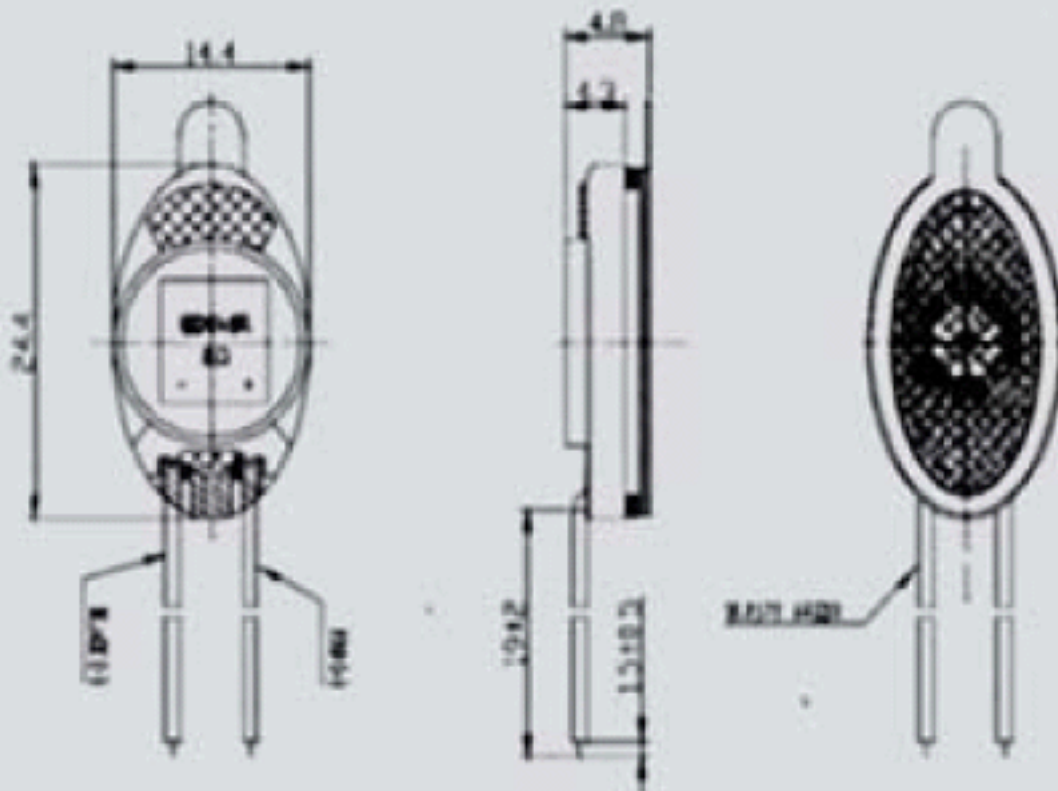


YDT2414



DIMENSIONS

UNIT:mm

Tolerance: ± 0.5 mm

SPECIFICATIONS

SPEAKER			RECEIVER		
Rated Impedance	Ω	$8 \pm 15\%$	Rated Impedance	Ω	$8 \pm 15\%$
Rated(Max.)Power	W	0.3 / 0.5	Rated(Max.)Power	mW	
Resonant Frequency	Hz	1000	Rated Freq.Range	Hz	300 ~ 3400
Sound Pressure Level	Hz	$f_0 \sim 5000$	Sensitivity	dB	108 ± 3 at 100mV
Rated Freq. Range 0.1W/0.1m(AVG)1.5,2.0,2.5,3.0)KHz	dB	79 ± 3			
Weight	g	3.1			
Operating Temperature	$^{\circ}\text{C}$	$-10 \sim +40$			

