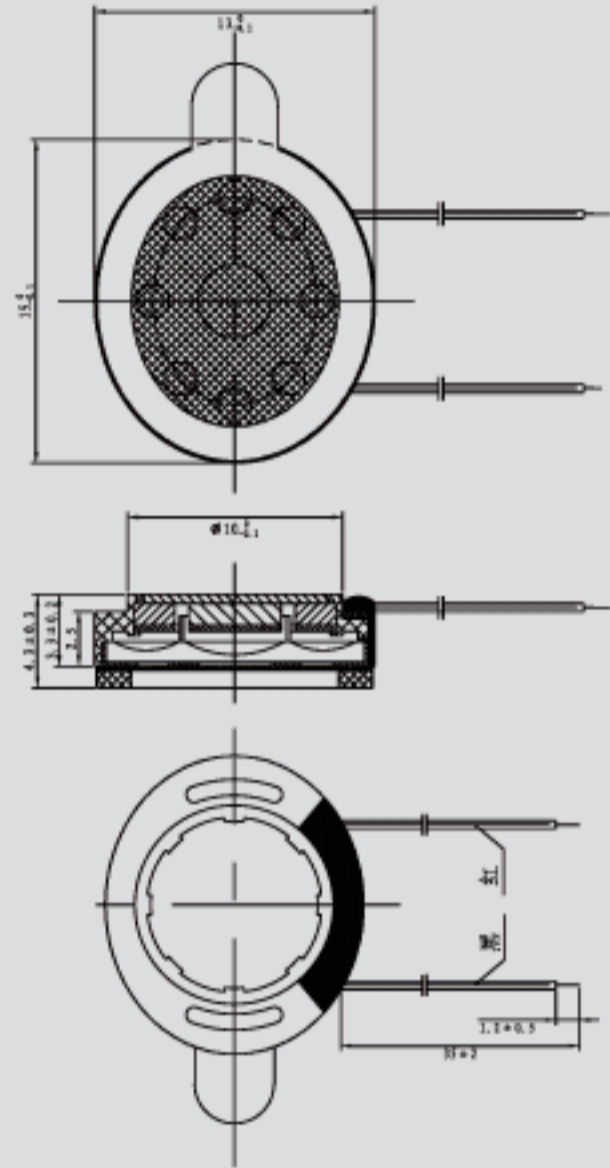


# YDT1315



Rated input  
 Max input  
 Frequency range  
 Resonance frequency  
 Impedance@1KHz  
 SPL@1.0,1.2,1.5,2.0KHz  
 (0.1W/0.1m)

0.5W  
 1.0W  
 $F_0 \sim 20\text{KHz}$   
 $1000 \pm 20\% \text{Hz}$   
 $8 \pm 15\% \Omega$   
 $88 \pm 3\text{dB}$

