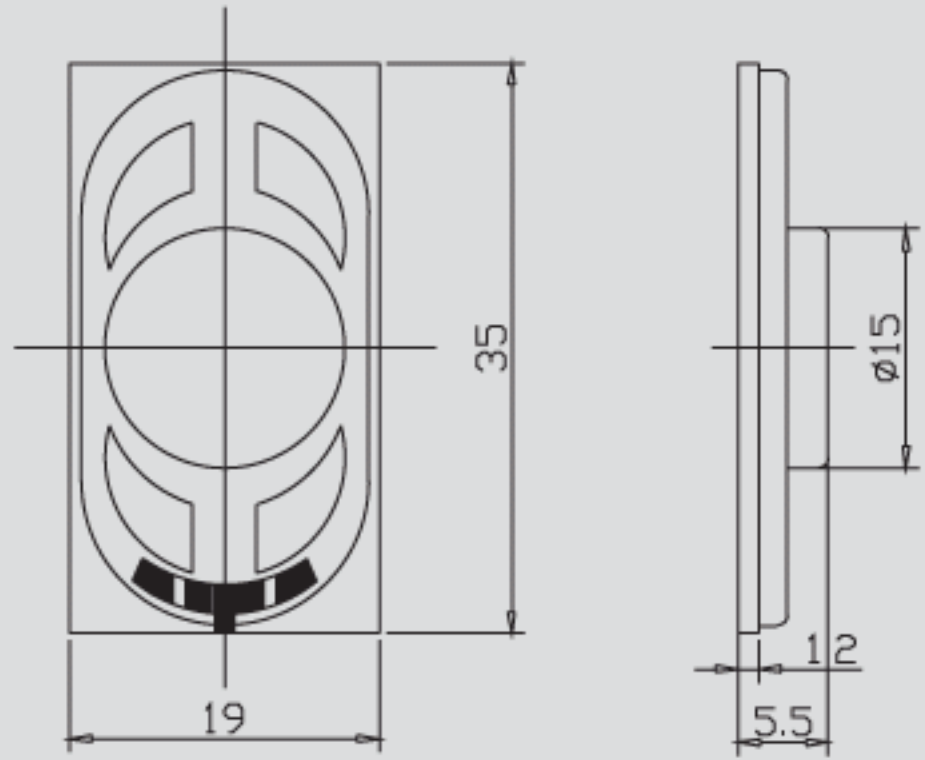


# YD1935



## DIMENSIONS

UNIT:mm

Tolerance:  $\pm 0.5\text{mm}$

## SPECIFICATIONS

Rated Impedance	$\Omega$	$8 \pm 15\%$
Rated(Max)Power	W	1.0/2.0
Resonant Frequency	Hz	$450 \pm 20\%$
Rated Freq.Range	Hz	$f_0 \sim 20000$
Sound Pressure Level 0.1W/0.5m(AVG at 0.8,1.0,1.2,1.5)kHz	dB	$83 \pm 3$
Weight	g	5.5
Operating Temperature	$^{\circ}\text{C}$	$-10 \sim +40$

