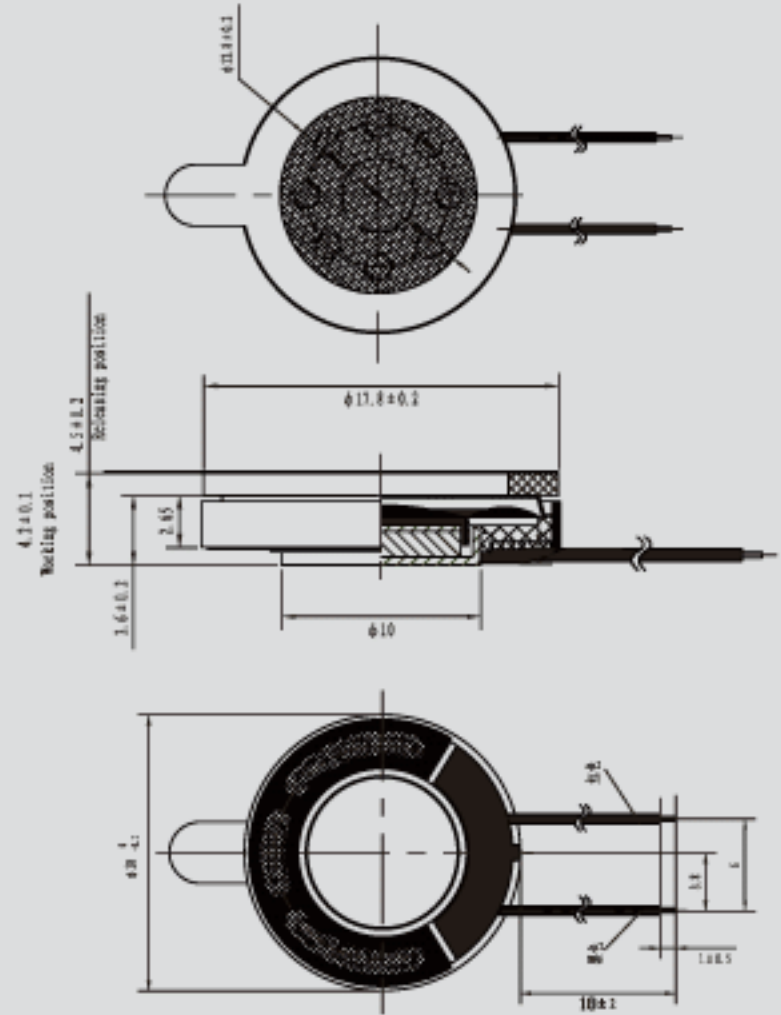


YD1891



Rated input
 Max input
 Frequency range
 Resonance frequency
 Impedance@2KHz
 SPL@0.8, 1.0, 1.2, 1.5KHz
 (0.1W/0.1 m)

0.5W
 0.8W
 F₀~20KHz
 800 ± 20%Hz
 8 ± 15% Ω
 90 ± 3dB

