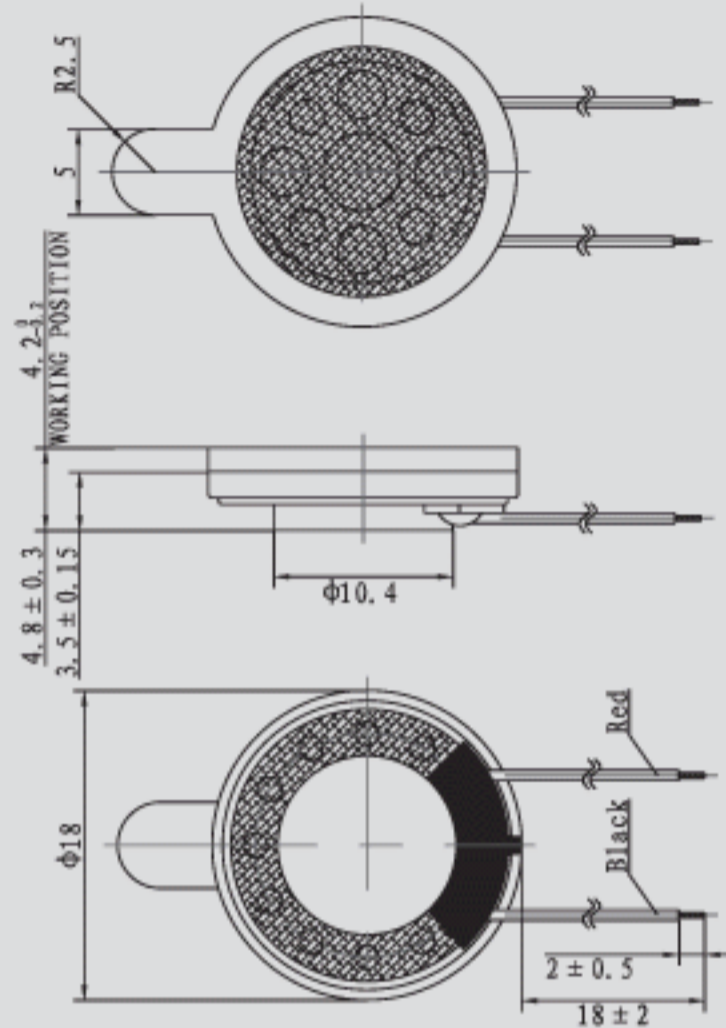


YD1801



Rated input
Max input
Frequency range
Resonance frequency
Impedance@2KHz
SPL@0.8,1.0,1.2,1.5KHz
(0.1W/0.1m)

0.5W
0.8W
 $F_0 \sim 20\text{KHz}$
 $950 \pm 20\% \text{ Hz}$
 $8 \pm 15\% \Omega$
 $90 \pm 3\text{dB}$

