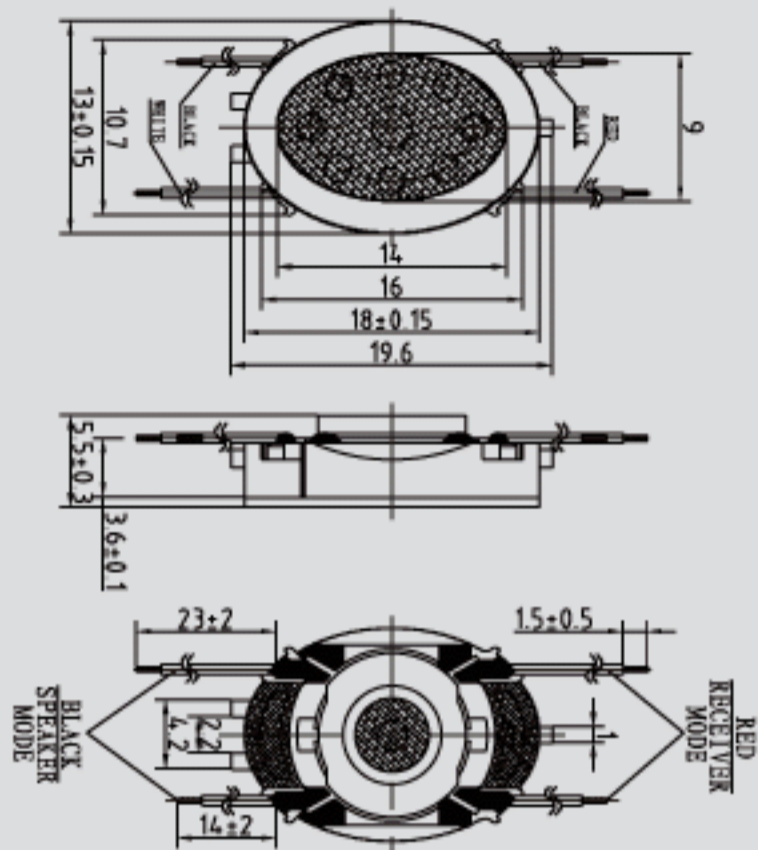


# MRS1318



Rated input  
 Max input  
 Frequency range  
 Resonance frequency  
 Impedance@1KHz  
 SPL@0.8,1.0,1.2,1.5KHz  
 (0.1W/0.1m)  
 Frequency range  
 Impedance@1KHz  
 SPL@1KHz(100mv)

0.23W  
 0.64W  
 $F_0 \sim 20\text{KHz}$   
 $780 \pm 20\% \text{Hz}$   
 $7 \pm 15\% \Omega$   
 $84 \pm 3\text{dB}$   
 $300 \sim 3400\text{Hz}$   
 $32 \pm 15\% \Omega$   
 $109 \pm 3\text{dB}$

