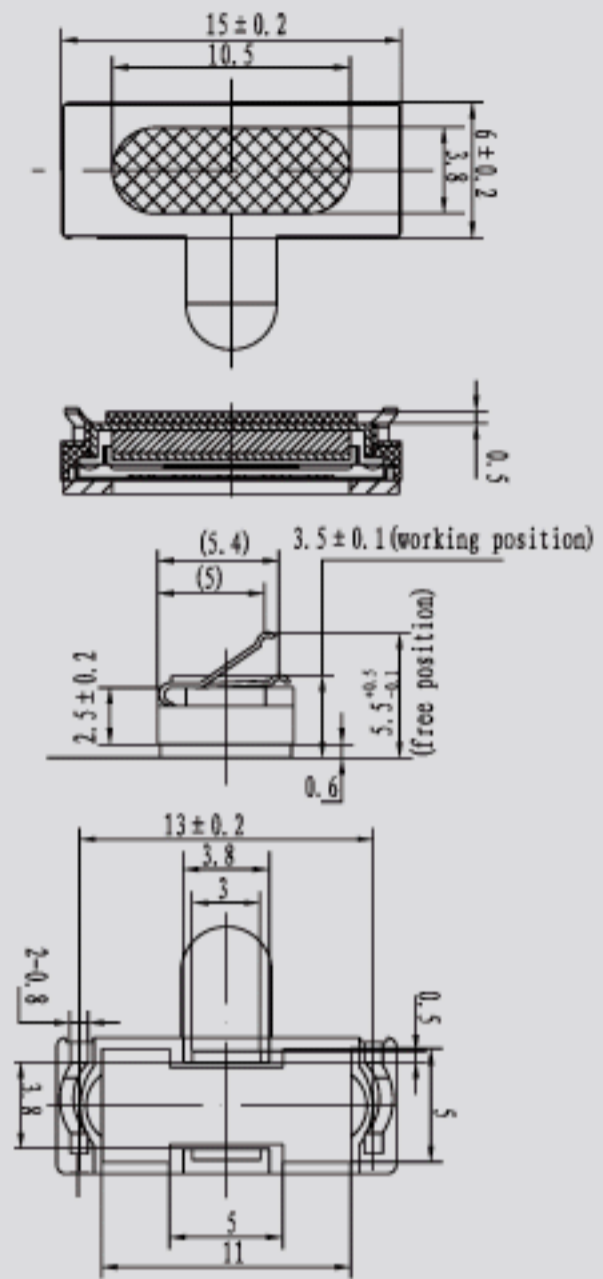


MRJ06151



Rated input	10mw
Max input	30mw
Frequency range	300~3400Hz
Impedance@1KHz	$32 \pm 15\% \Omega$
SPL@1KHz(100 my)	$110 \pm 3 \text{ dB}$

