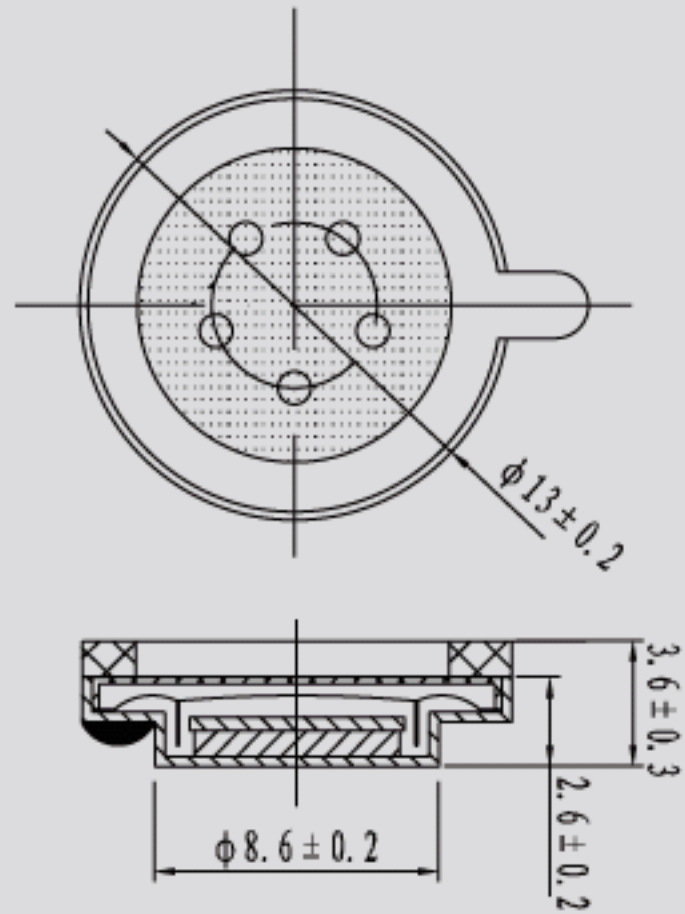


MR1351



| | |
|------------------|----------------------|
| Rated input | 10mw |
| Max input | 30mW |
| Frequency range | 300~3400Hz |
| Impedance@1KHz | $32 \pm 15\% \Omega$ |
| SPL@1 KHz(179mv) | $106 \pm 3\text{dB}$ |

